



Installation instructions, accessories

Volvo Car Corporation Gothenburg, Sweden

Instruction No	Version	Part. No.
31664205	1.0	31659052

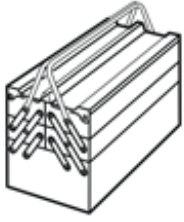
Media player 7"



Installation instructions, accessories

Volvo Car Corporation Gothenburg, Sweden

Equipment

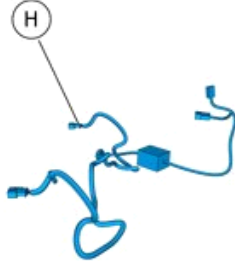
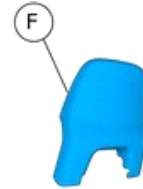
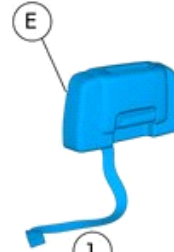
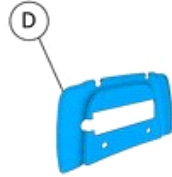
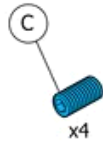
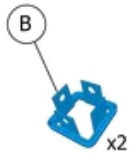
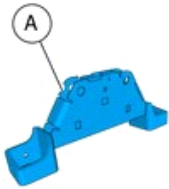


A0000162



IMG-239664

Nm
lbf.ft



IMG-423340



Installation instructions, accessories

Volvo Car Corporation Gothenburg, Sweden

Information

1

Read through all of the instructions before starting installation.

Notifications and warning texts are for your safety and to minimise the risk of something breaking during installation.

Ensure that all tools stated in the instructions are available before starting installation.

Certain steps in the instructions are only presented in the form of images. Explanatory text is also given for more complicated steps.

In the event of any problems with the instructions or the accessory, contact your local Volvo dealer.

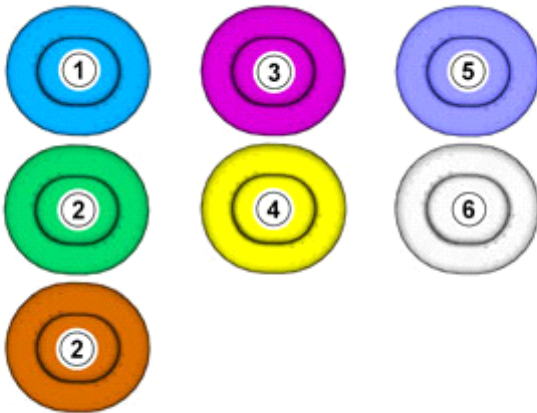
Further information

2

There may be parts in the accessories kit that are not needed for this installation.

Color symbols

3



IMG-363036

Note!

This colour chart displays (in colour print and electronic version) the importance of the different colours used in the images of the method steps.

- Used for focused component, the component with which you will do something.
- Used as extra colors when you need to show or differentiate additional parts.
- Used for attachments that are to be removed/installed. May be screws, clips, connectors, etc.
- Used when the component is not fully removed from the vehicle but only hung to the side.
- Used for standard tools and special tools.
- Used as background color for vehicle components.

Removal



Installation instructions, accessories

Volvo Car Corporation Gothenburg, Sweden

4

Note!

The removal steps may contain installation details.

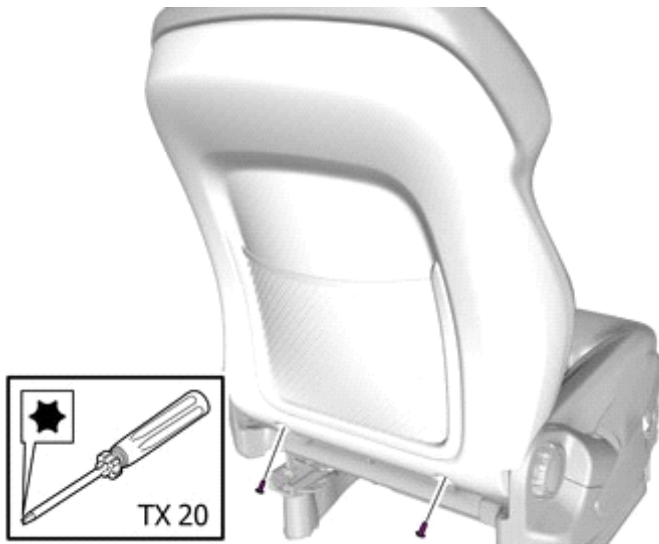
5



IMG-394500

6

Remove the screws.



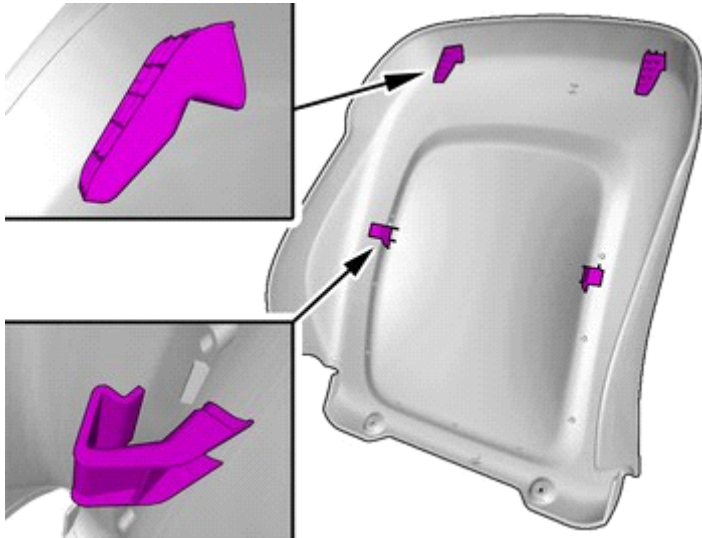
IMG-394038



Installation instructions, accessories

Volvo Car Corporation Gothenburg, Sweden

7

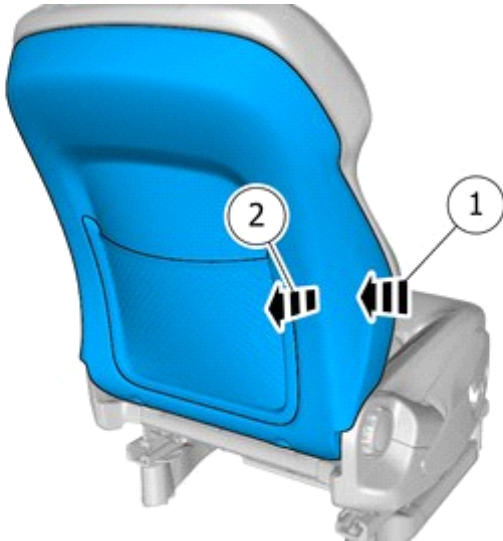


IMG-394018

Note!

The graphic shows the back of the component before removal.

8

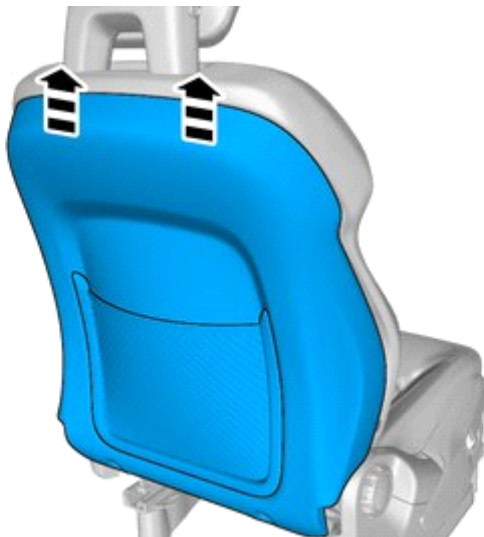


IMG-394039

Note!

Perform the procedure one side at a time.

9



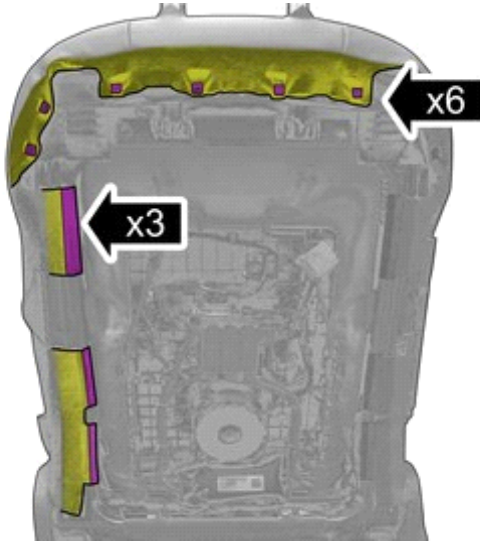
IMG-394056



Installation instructions, accessories

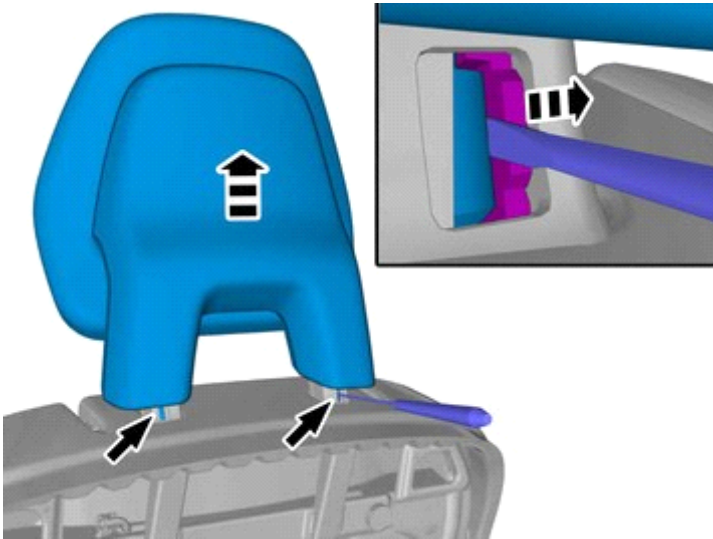
Volvo Car Corporation Gothenburg, Sweden

10



IMG-399420

11



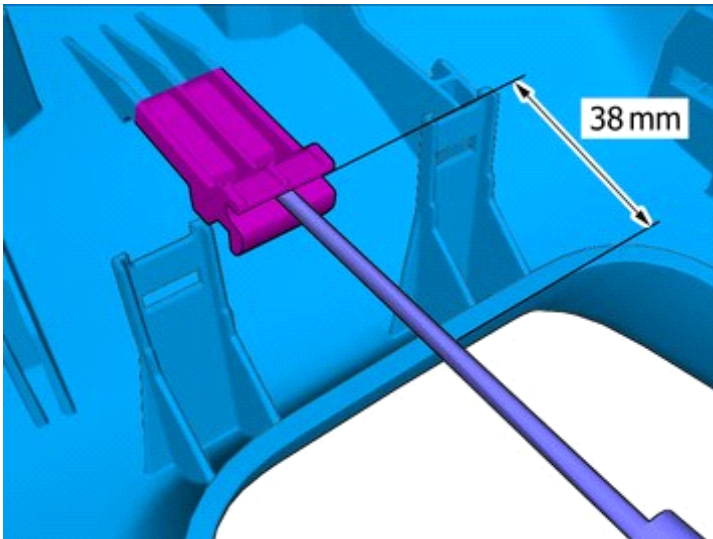
IMG-403590

The image shows seat without upholstery.

Release the locks.

Remove the marked part.

12



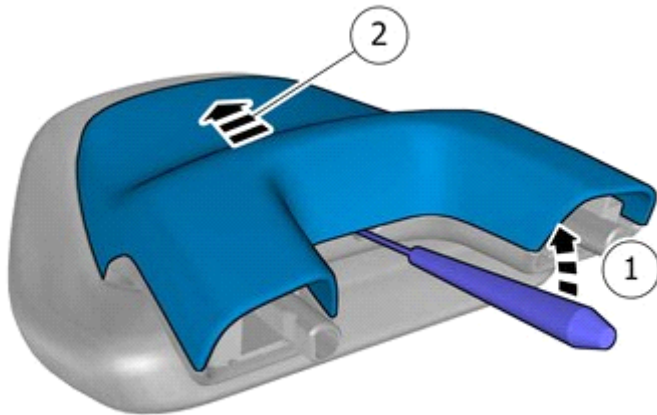
IMG-403751

Note!

The graphic shows the back of the component before removal.



13

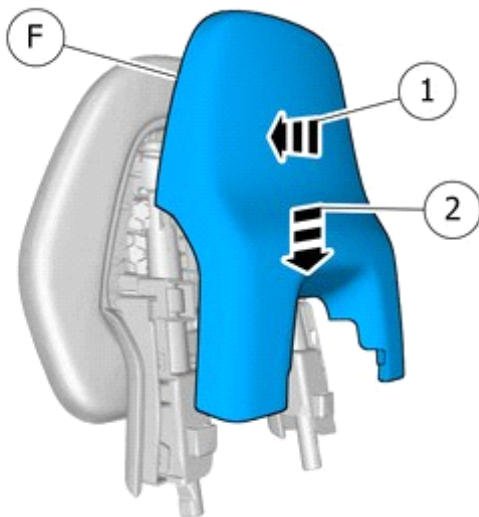


IMG-403745

Accessory installation

Concerns installation of accessories on both seats

14



IMG-405590

Install component that comes with the accessory kit.

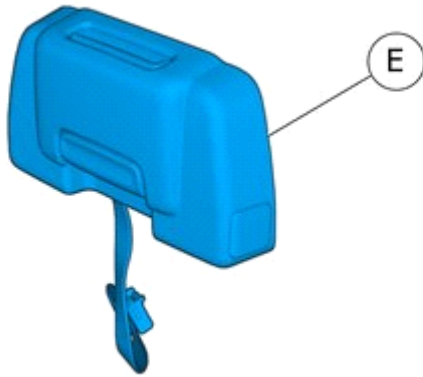
Ensure that all clips engage.



Installation instructions, accessories

Volvo Car Corporation Gothenburg, Sweden

15

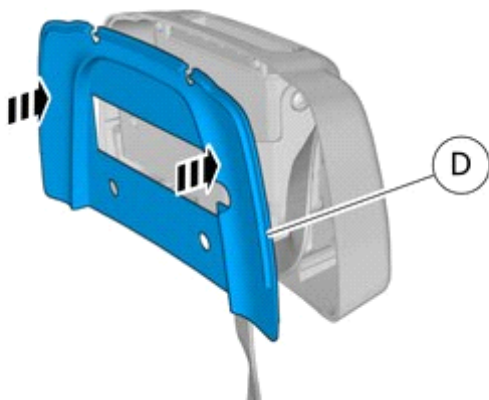


IMG-421018

16

Install component that comes with the accessory kit.

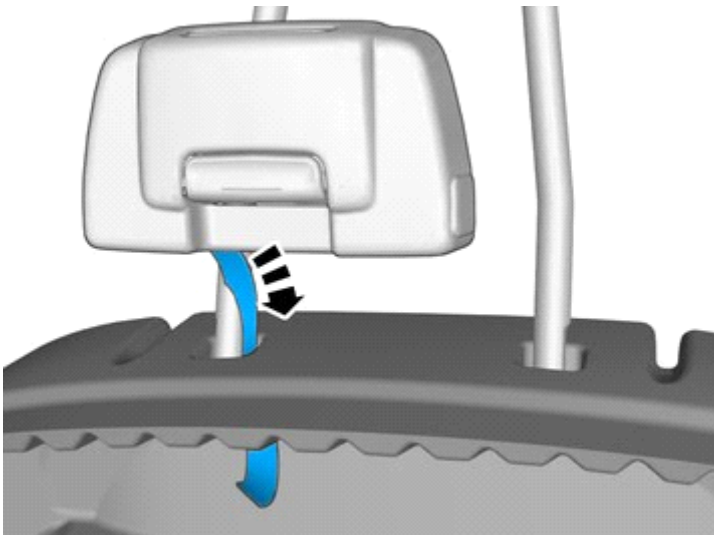
Make sure that the gasket is correctly located.



IMG-421016

17

Pull the wiring through.



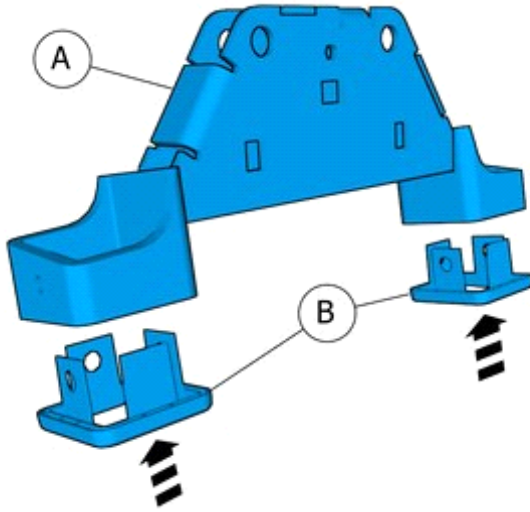
IMG-420767



Installation instructions, accessories

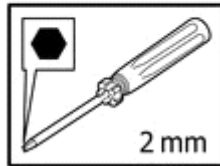
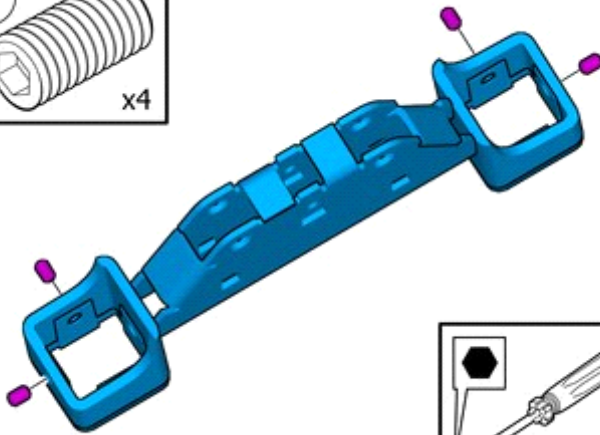
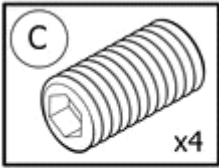
Volvo Car Corporation Gothenburg, Sweden

18



IMG-405870

19



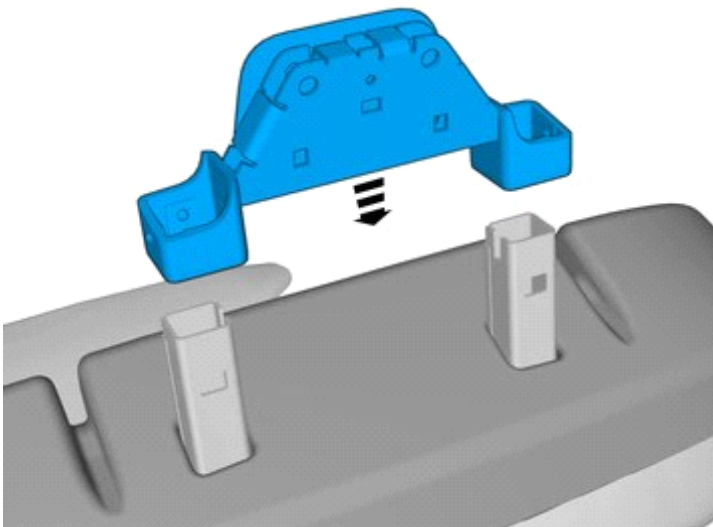
IMG-405800

Note!

Maximum 2 turns.

Install the screws.

20



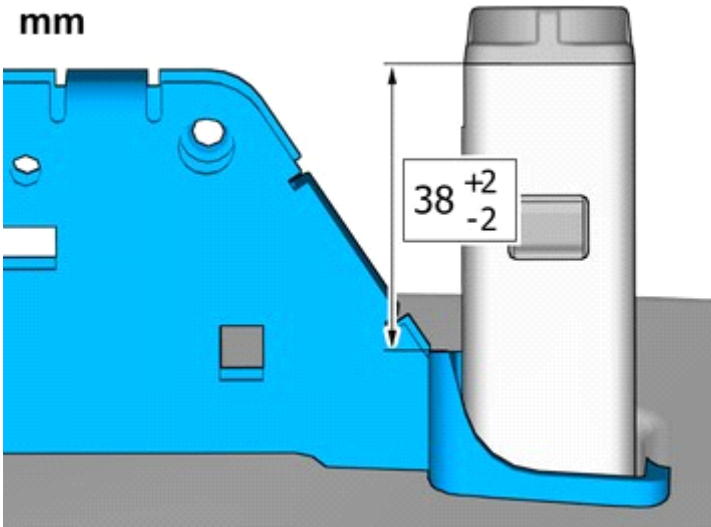
IMG-420792



Installation instructions, accessories

Volvo Car Corporation Gothenburg, Sweden

21 mm

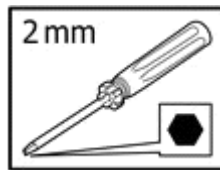
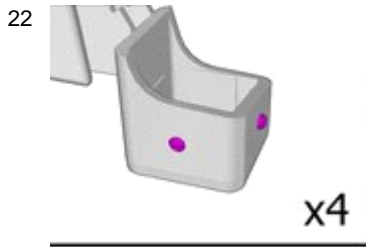


IMG-408170

Note!

This step is easier with two people.

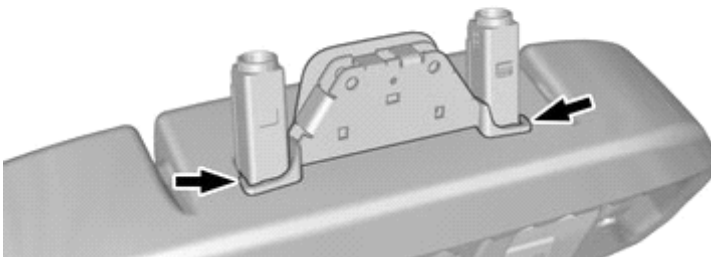
Adjust to the specified value.



Note!

This step is easier with two people.

Tighten the bolts.



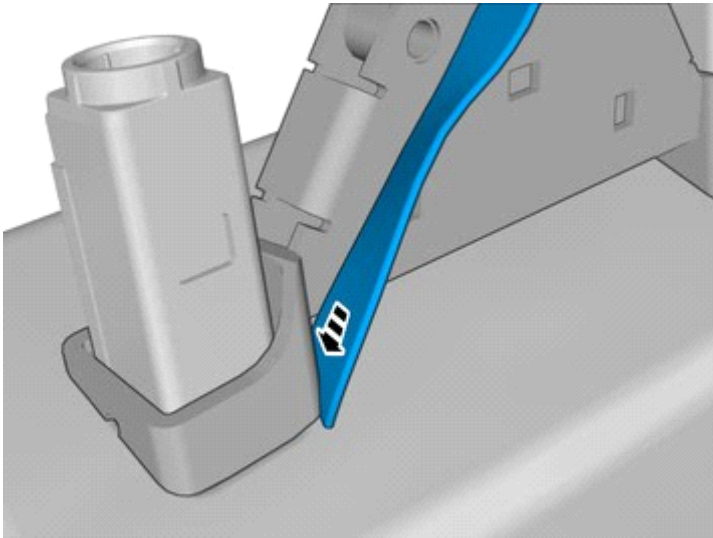
IMG-420816



Installation instructions, accessories

Volvo Car Corporation Gothenburg, Sweden

23



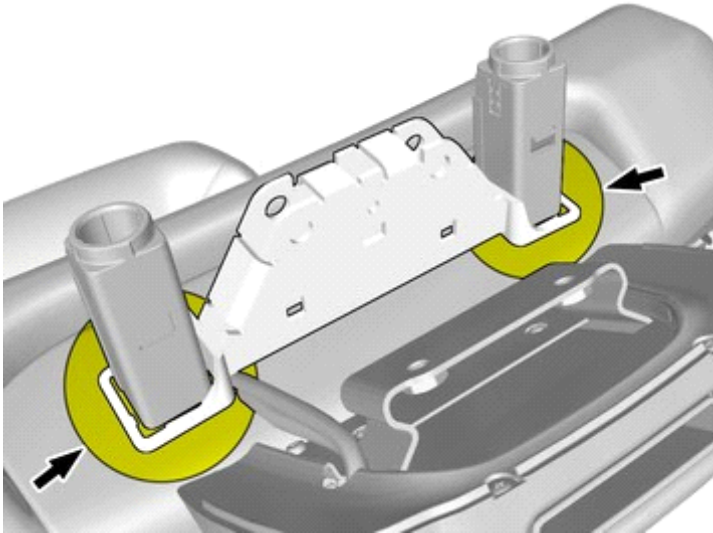
IMG-420842

Note!

Note the position.

Position/route the cable harness as illustrated.

24

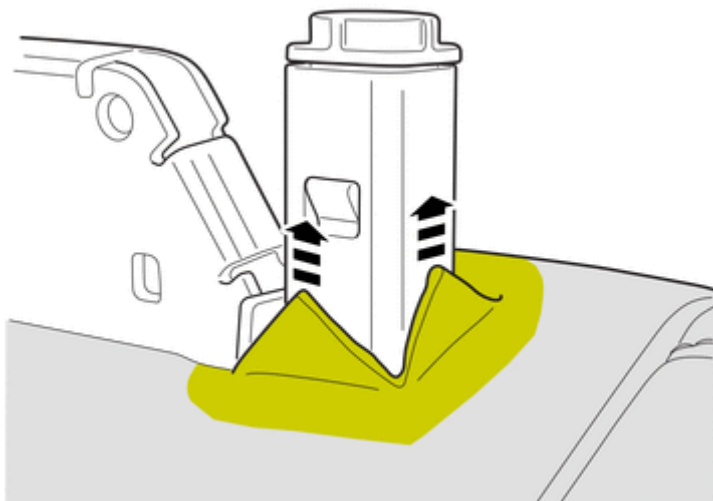


IMG-406221

Note!

Orientation view

25



IMG-407340

Caution!

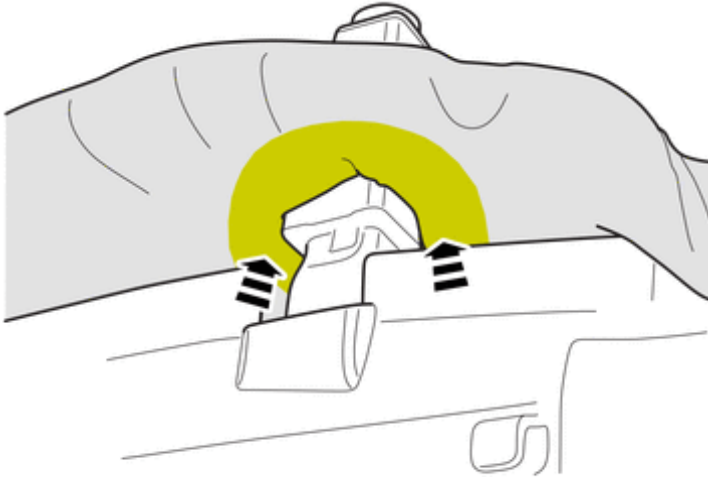
Pull up the upholstery to cover lower part of bracket.



Installation instructions, accessories

Volvo Car Corporation Gothenburg, Sweden

26

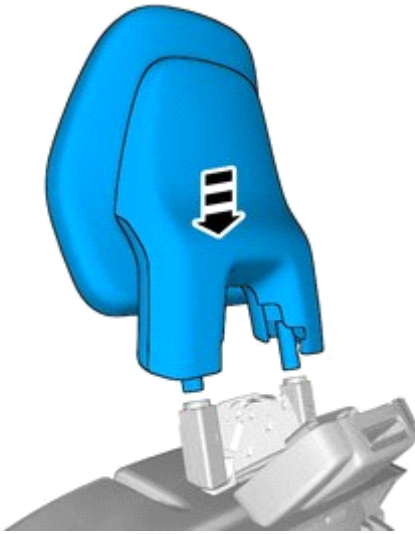


Caution!

Press the foam padding upward against the upholstery.

IMG-407341

27

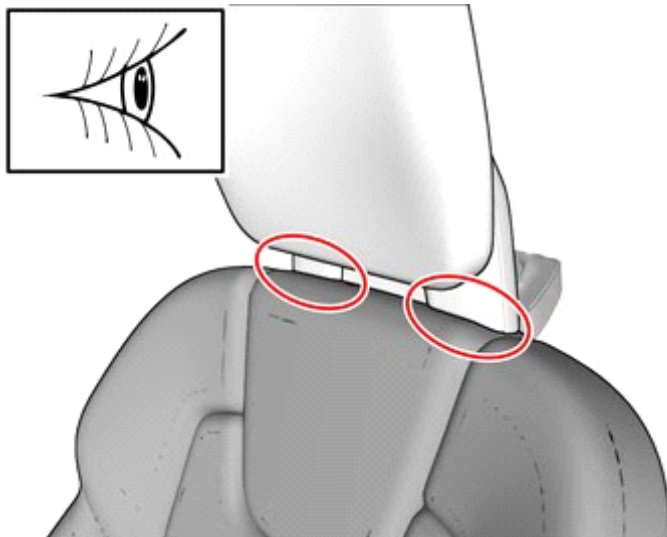


Caution!

Check that the component has locked in its bottom position.

IMG-405592

28



Note!

Make sure that the backrest upholstery touches the head restraint, showing no space in between.

Compare with upholstery and head restraint on the other front seat.

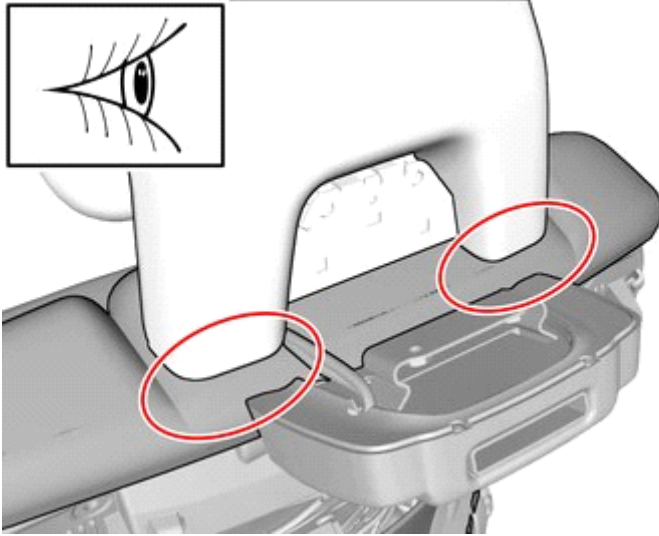
IMG-414067



Installation instructions, accessories

Volvo Car Corporation Gothenburg, Sweden

29



IMG-413617

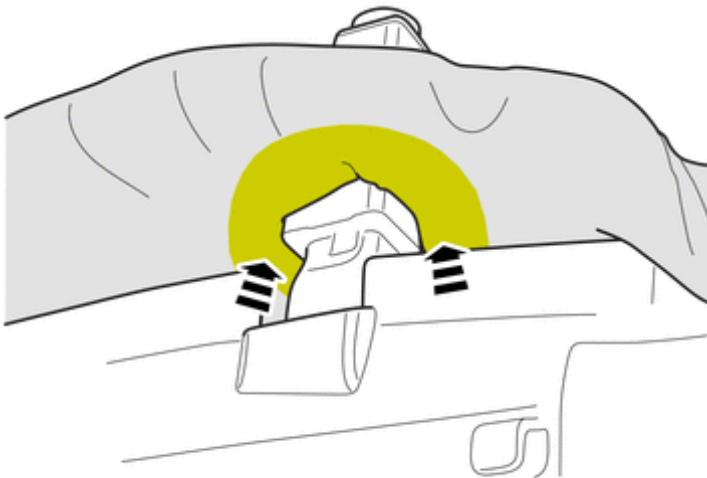
Note!

Make sure that the backrest upholstery touches the head restraint, showing no space in between.

Compare with upholstery and head restraint on the other front seat.

If adjustment is necessary, follow the procedure described in the method step below.

30



IMG-407341

Caution!

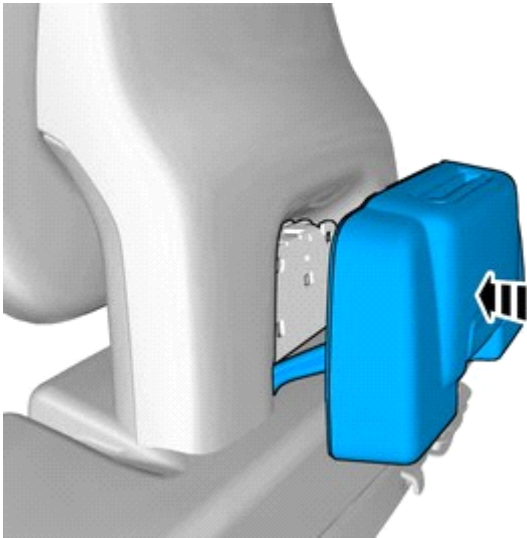
Press the foam padding upward against the upholstery.



Installation instructions, accessories

Volvo Car Corporation Gothenburg, Sweden

31

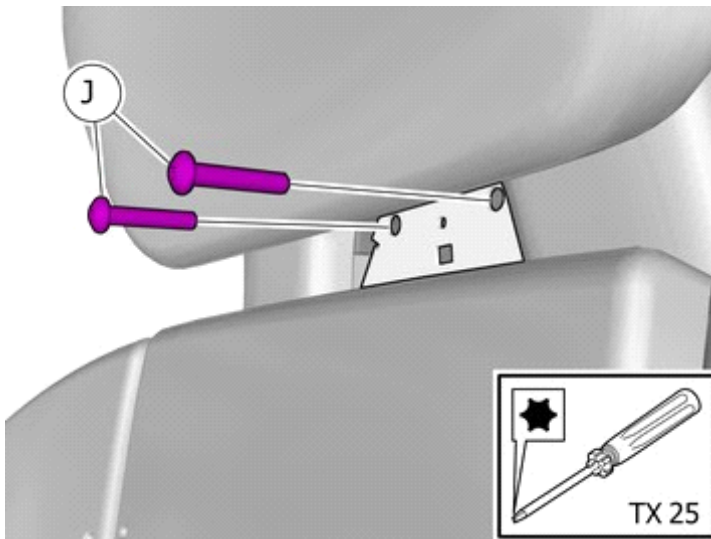


IMG-420877

Place the component where indicated in the graphic.

Adjust the position of the wiring harness.

32



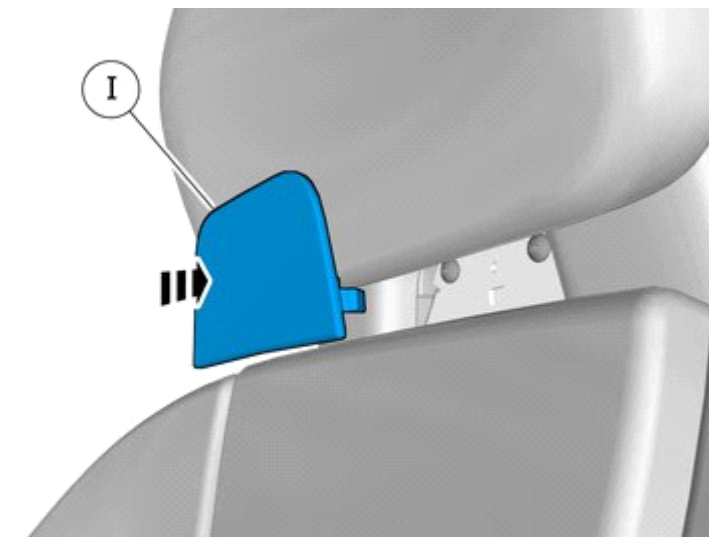
IMG-421060

Install the screws.

Make sure that the gasket is correctly located.

Tighten the bolts.

33



IMG-421061

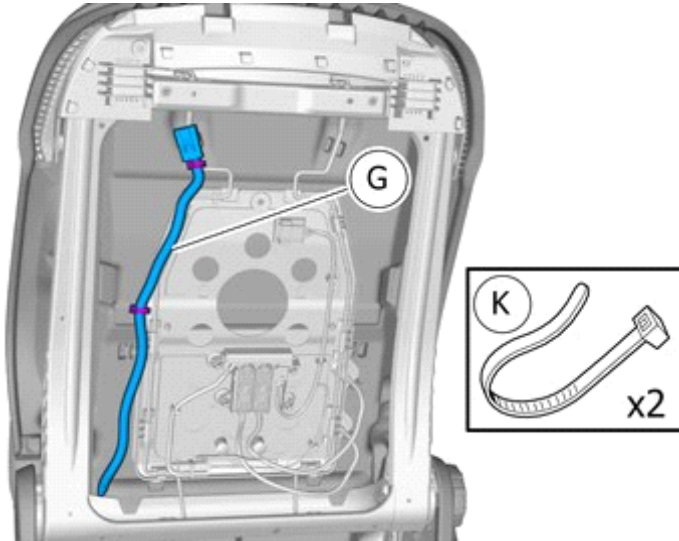
Install component that comes with the accessory kit.



Installation instructions, accessories

Volvo Car Corporation Gothenburg, Sweden

34



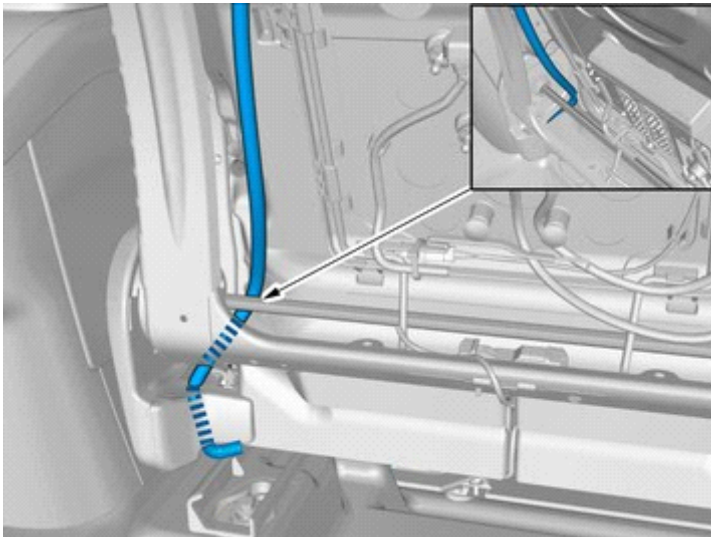
IMG-421022

Install component that comes with the accessory kit.

Position/route the cable as illustrated.

Tighten the cable ties.

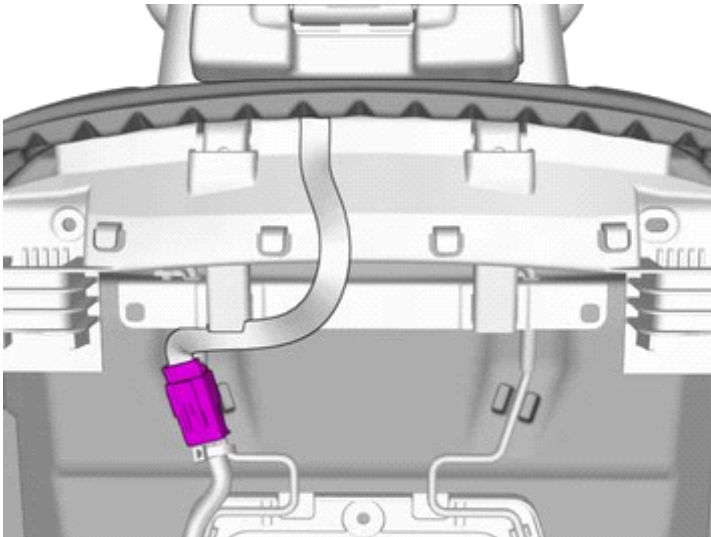
35



IMG-423633

Position/route the cable as illustrated.

36



IMG-420895

Connect the connector.

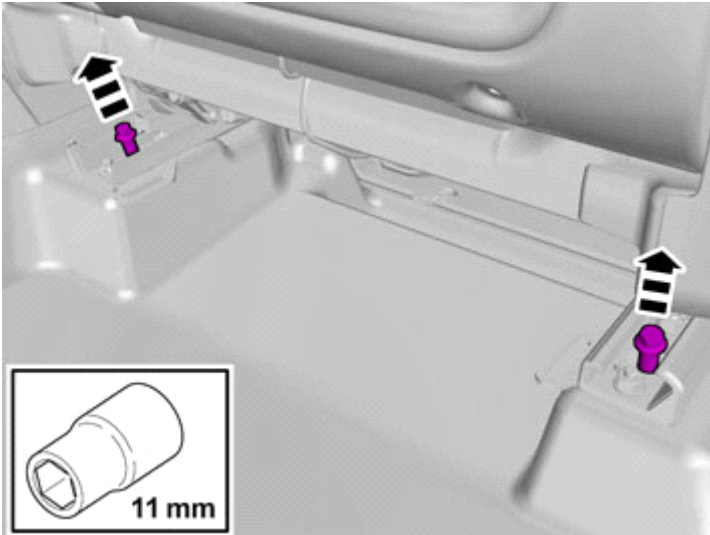


Installation instructions, accessories

Volvo Car Corporation Gothenburg, Sweden

Removal

37



IMG-383130

Remove the screws.

Tightening torque: Front seat to body , 40 Nm

38



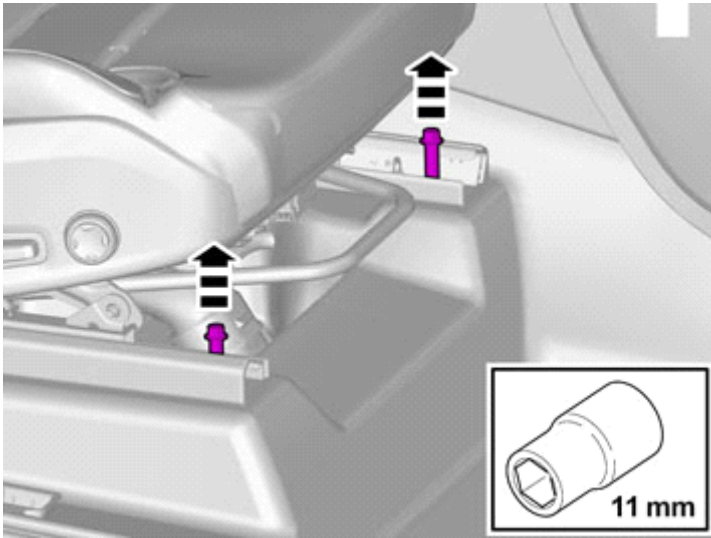
IMG-397249



Installation instructions, accessories

Volvo Car Corporation Gothenburg, Sweden

39

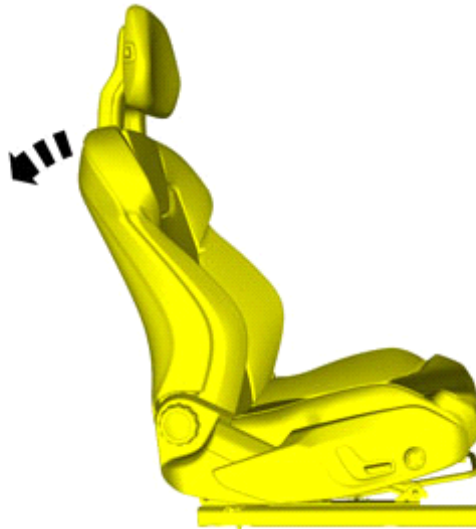


IMG-383129

Remove the screws.

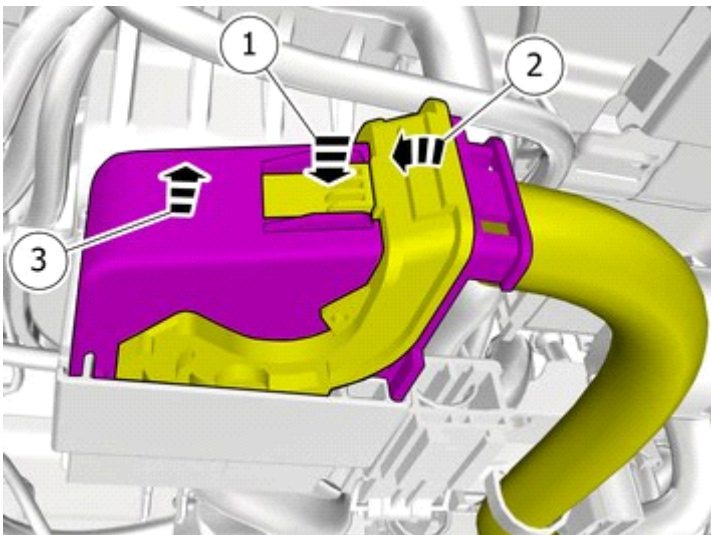
Tightening torque: Front seat to body , 40 Nm

40



IMG-383134

41



IMG-396605

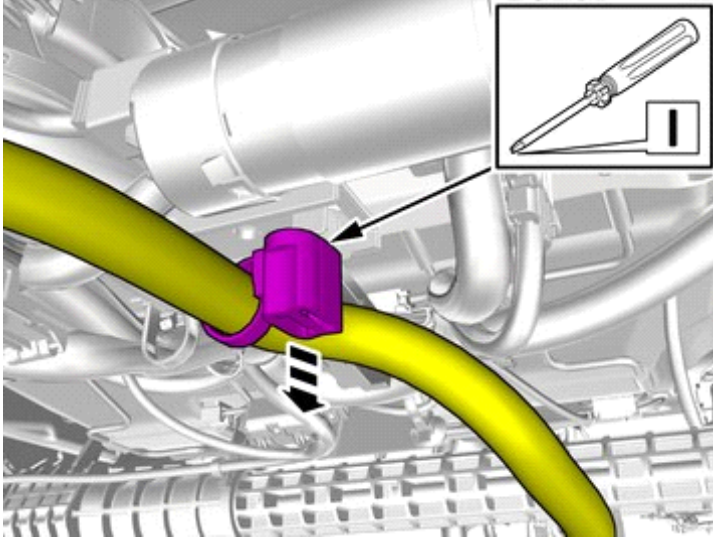
- Release the connector's catch.
- Release the lock.
- Disconnect the connector.



Installation instructions, accessories

Volvo Car Corporation Gothenburg, Sweden

42



IMG-396606

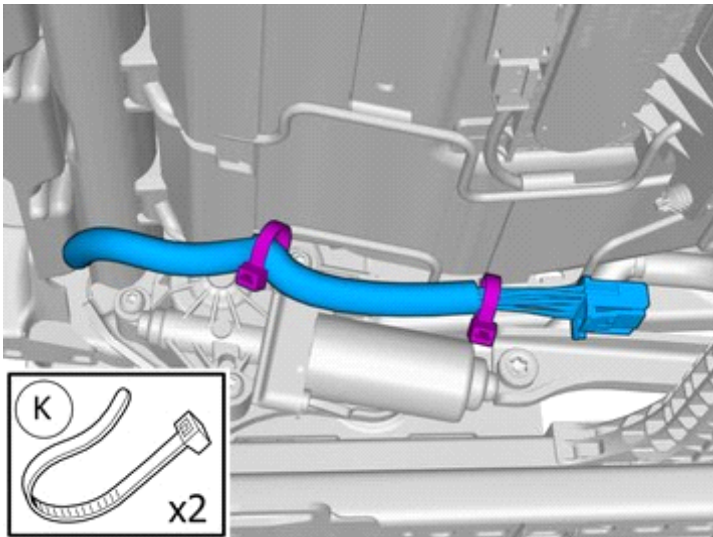
Unhook the cable harness clips.

43



IMG-397252

44



IMG-420976

Position/route the cable as illustrated.

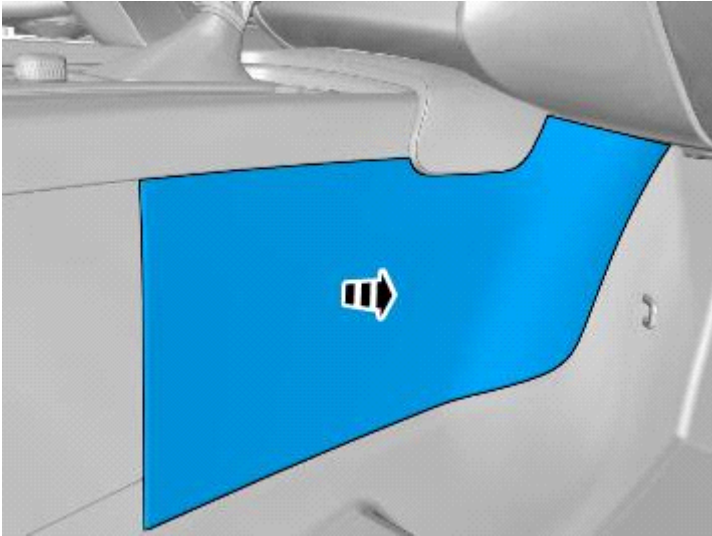
Tighten the cable ties.



Installation instructions, accessories

Volvo Car Corporation Gothenburg, Sweden

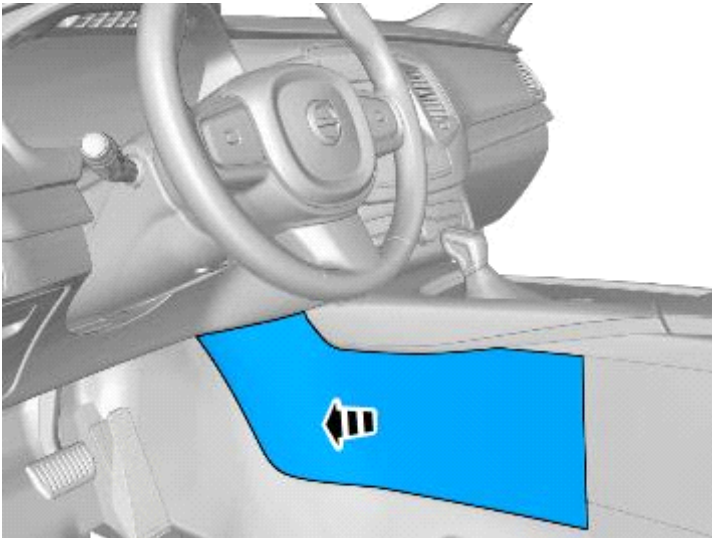
45



IMG-383729

Remove the marked part.

46



IMG-383708

Remove the marked part.

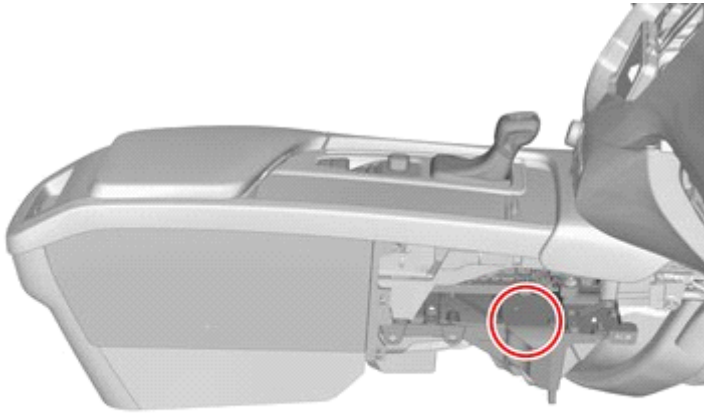
Accessory installation



Installation instructions, accessories

Volvo Car Corporation Gothenburg, Sweden

47



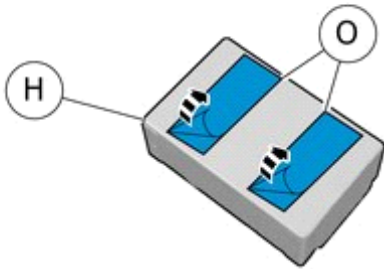
Note!
Orientation view

IMG-423670

48

Install component that comes with the accessory kit.

Remove the protective film.



IMG-421360

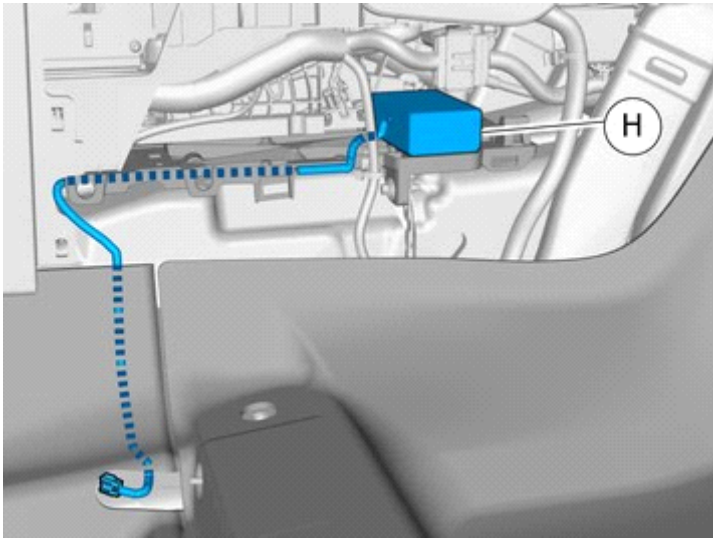
Vehicles with 2-zone Air Conditioning system AC



Installation instructions, accessories

Volvo Car Corporation Gothenburg, Sweden

49



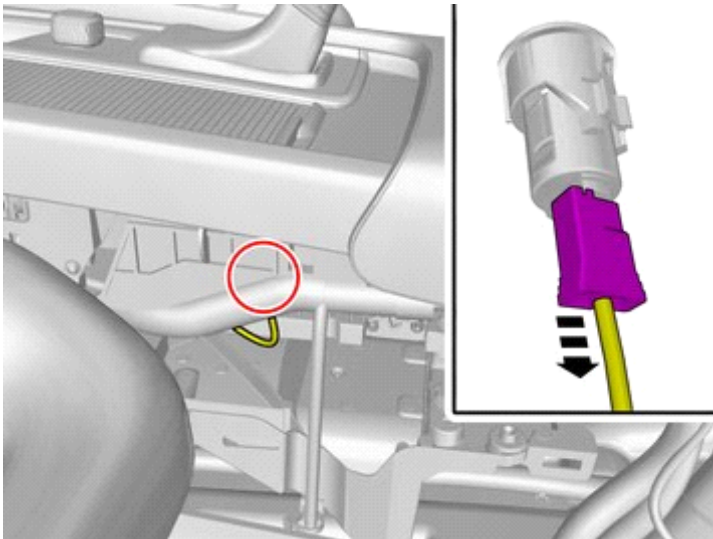
IMG-423762

Install component that comes with the accessory kit.

Position/route the cable as illustrated.

Place any excess inside the floor carpet.

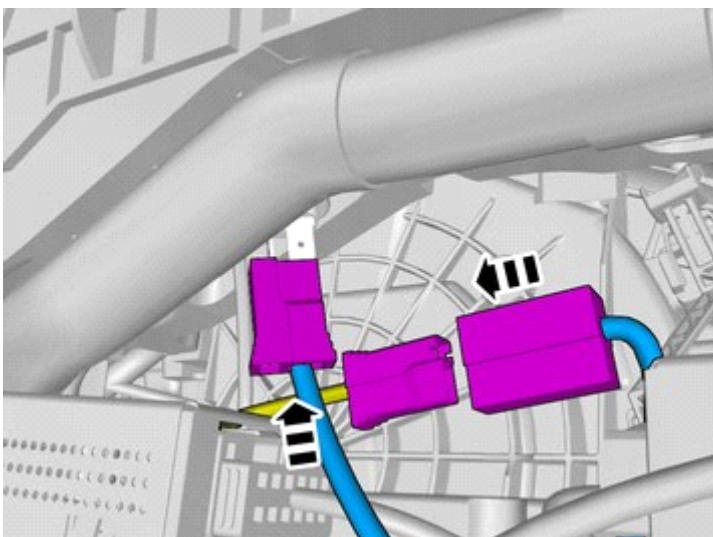
50



IMG-394435

Disconnect the connector.

51



IMG-394235

Connect the connectors.

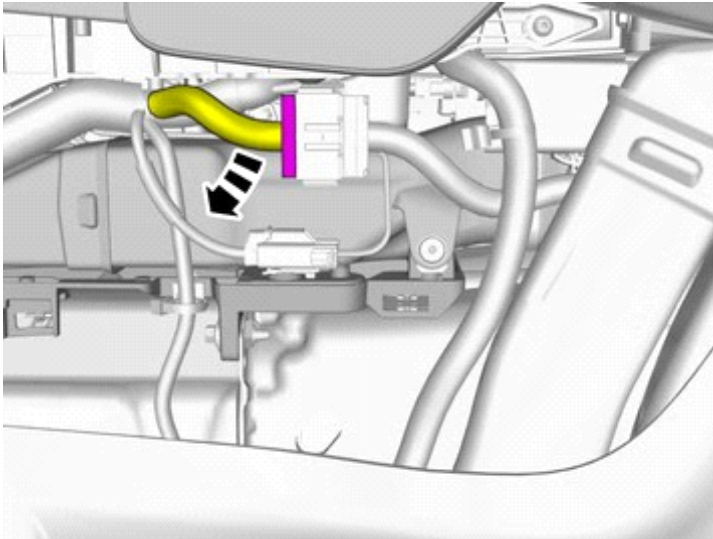


Installation instructions, accessories

Volvo Car Corporation Gothenburg, Sweden

Vehicles with 4-zone Air Conditioning system AC

52



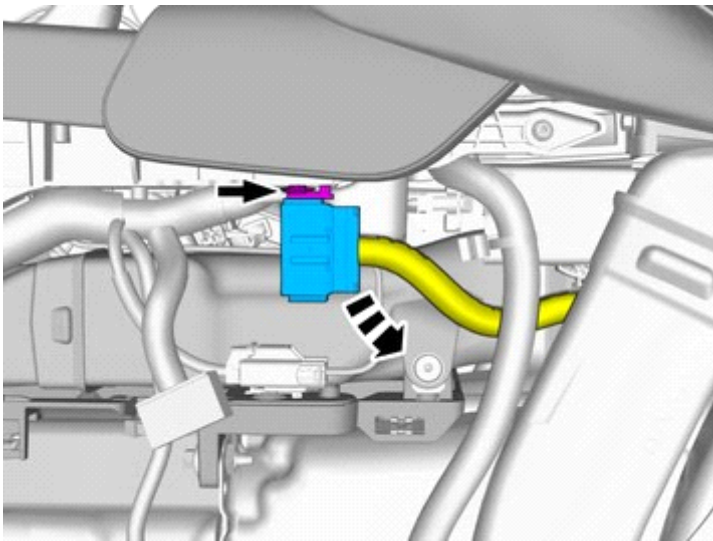
IMG-423355

Depress the locking device.

Disconnect the connector.

Fold marked part to one side.

53



IMG-423400

Loosen the clip.

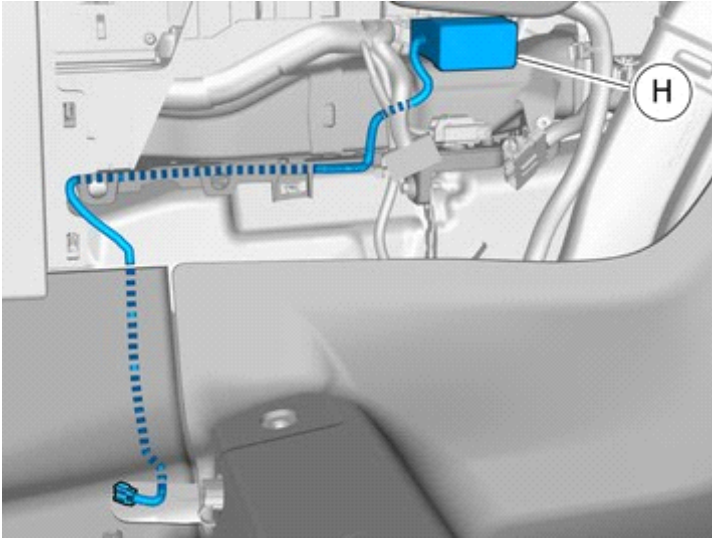
Fold marked part to one side.



Installation instructions, accessories

Volvo Car Corporation Gothenburg, Sweden

54



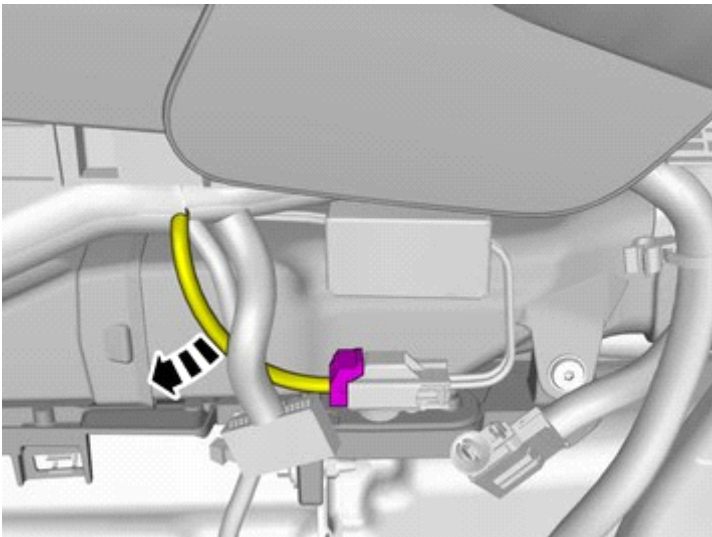
IMG-423735

Install component that comes with the accessory kit.

Position/route the cable as illustrated.

Place any excess inside the floor carpet.

55



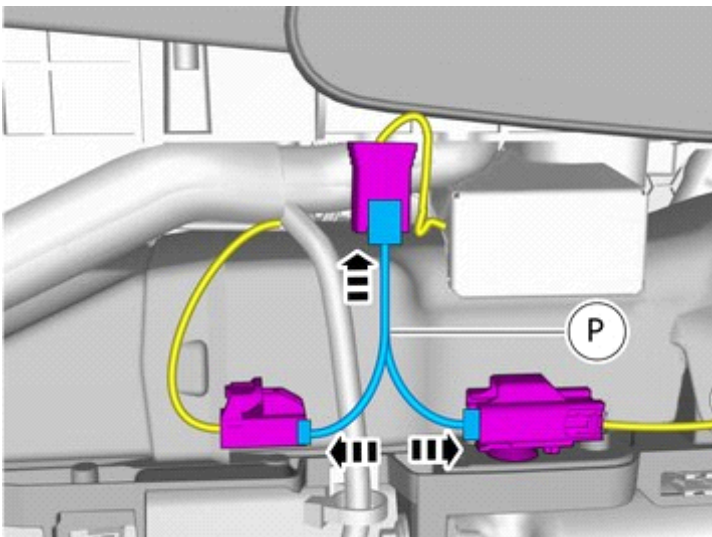
IMG-423776

Depress the locking device.

Disconnect the connector.

Fold marked part to one side.

56



IMG-423858

Install component that comes with the accessory kit.

Connect the connectors.

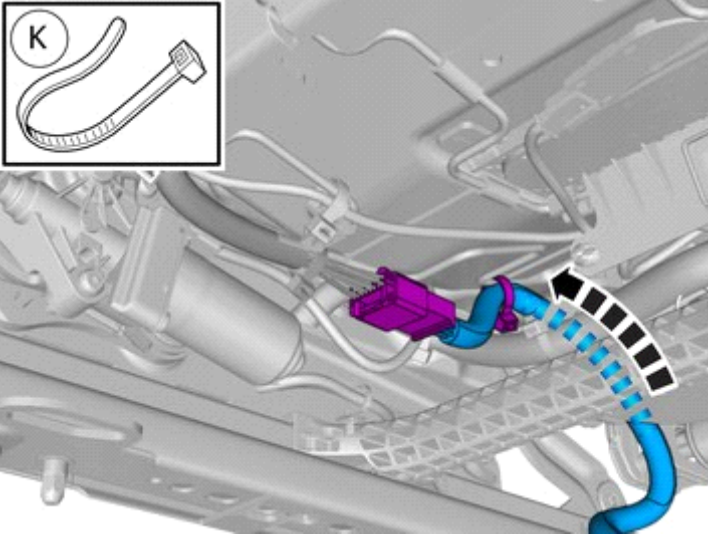


Installation instructions, accessories

Volvo Car Corporation Gothenburg, Sweden

All vehicles

57



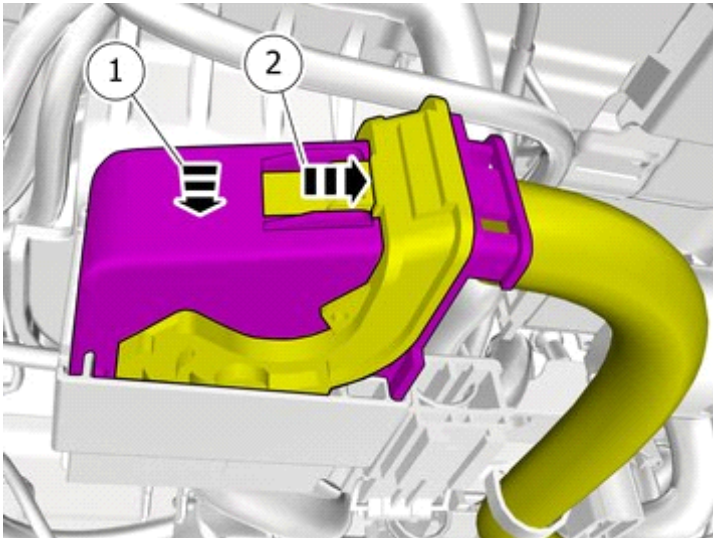
IMG-421251

Position/route the cable as illustrated.

Tighten the cable tie.

All vehicles

58



IMG-406061

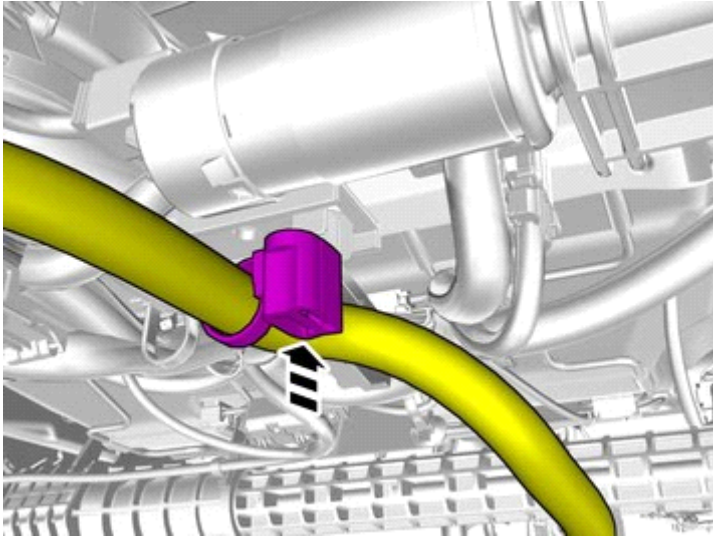
Connect the connector.



Installation instructions, accessories

Volvo Car Corporation Gothenburg, Sweden

59



IMG-406062

Install the wiring harness.

Concerns installation of accessories on both seats

60

Repeat the steps when installing accessories on opposite side.

Installation

61

Reinstall the removed parts in reverse order.
